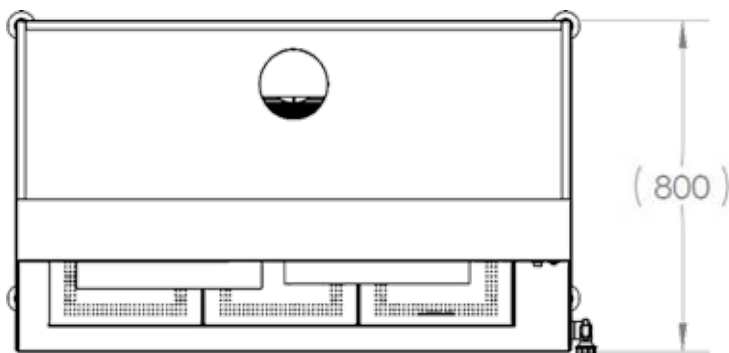
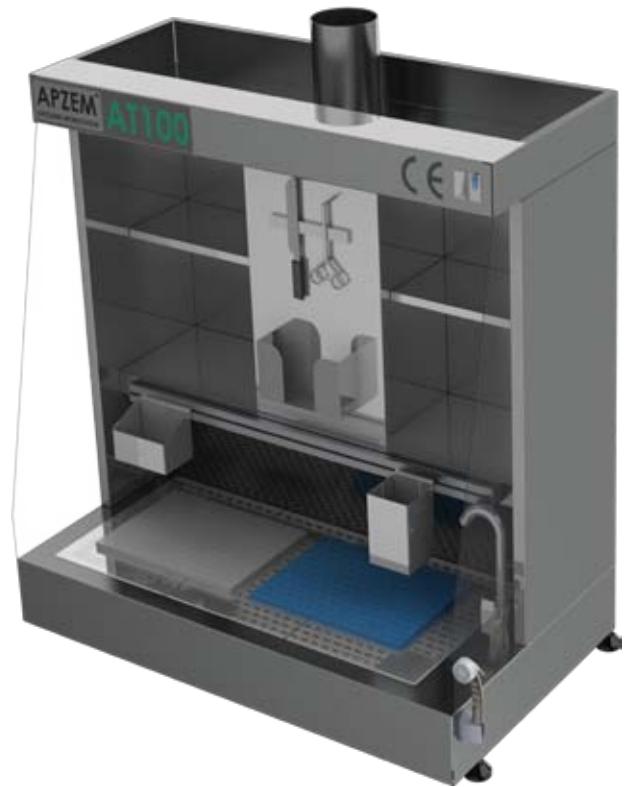


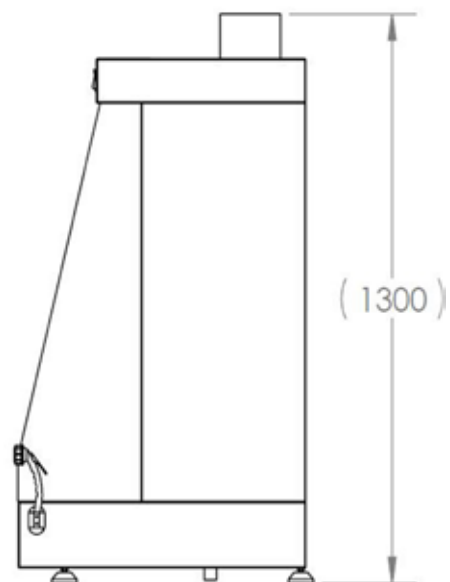
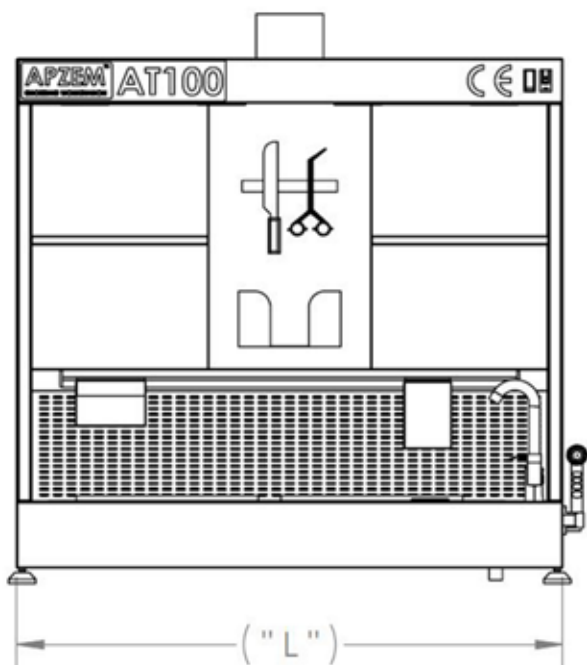
APZEM TABLE TOP GROSSING STATION

(AT Series)

APZEM Table Top grossing workstation were designed to provide affordable workstation for single user and for small labs. The system provides optimum suction capacity with air moving inwards over entire work area removing all formalin and other harmful fumes away from user while grossing. It performs more efficiently.



MODEL NO	SIZE (LENGTH)
AT100	3 FEET



STANDARD DESIGN FEATURES

- ▶ CE Certified.
- ▶ All Stainless steel Construction made of 16 Gauge (1.2mm) SS 304.
- ▶ Inbuilt ventilation system capable of removing all formalin fumes from work top and from technician's breathing zone.
- ▶ Sink Cold water Faucet.
- ▶ Back Draft fume Removal system.
- ▶ Removable perforated worktop.
- ▶ Powerful LED Lighting.
- ▶ C-Fold paper towel Holder.
- ▶ Polyethylene Dissecting Board for Dissecting and for Photography.
- ▶ Magnetic Tool holder.
- ▶ Cleanable Pre Filter to remove fine particles.
- ▶ Standard Dimension : 800mm(W) X 1300mm (H).
- ▶ Shelf for storing containers.
- ▶ Hand rinsing assembly.
- ▶ Medium capacity 0.45 HP waste disposal unit.
- ▶ Transparent Acrylic air deflector panel.
- ▶ 40mm height adjustable leg for accurate leveling of work surface.
- ▶ Provision for mounting splash shield and adjustable camera holder.

OPTIONAL FEATURES AND ACCESSORIES

- ▶ Higher grade, SS 316 Construction for better chemical resistance and greater life.
- ▶ Magnifying Lamp fixture for mounting 3 axis adjustable magnifying Lamp.
- ▶ Digital camera holder.
- ▶ Safety splash shield.
- ▶ Adjustable Shelving.
- ▶ Optional Carbon filter / potassium permanganate filter.
- ▶ Organizer Bin.
- ▶ Digital weighing scale.
- ▶ Inch centimeter ruler.
- ▶ Formalin dispensing system.

** Chose any of 48 accessories listed at end..